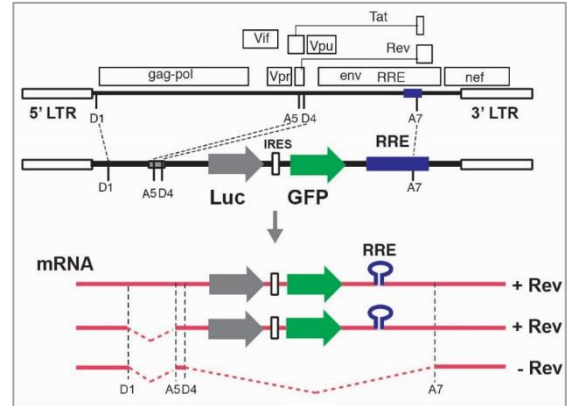


HIV Rev-dependent Reporter Cells - New generation HIV indicator cells

HIV Infection Enhancer (enhance infection rate by 5~20 folds)

- ✓ Unparalleled sensitivity & specificity: Rev-regulated reporter expression
- ✓ Versatile: GFP & Luciferase dual reporter system
- ✓ Natural HIV target: Derived from Human CD4 T-cells
- ✓ Physiologically relevant: Natural levels of HIV receptors/co-receptors
- ✓ Broad susceptibility: susceptible to X4, R5, primary HIV isolates, some SIV



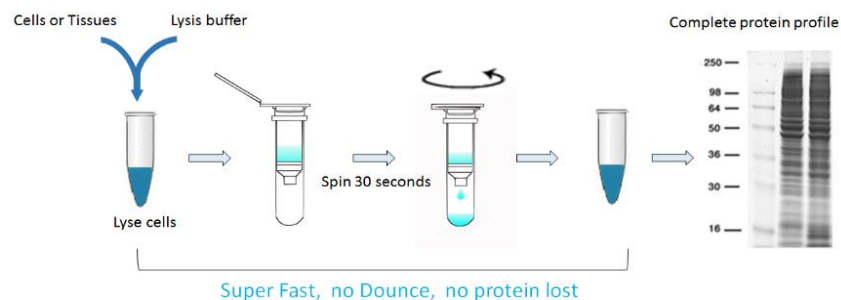
| Product | Cat.# | Description |
|------------------------|-------|--|
| Rev-A3R5-GFP | HRC-1 | Derived from A3.01 cells. Natural CD4, CXCR4 and $\alpha 4\beta 7$ expression. Constitutive CCR5 expression. Rev-dependent GFP |
| Rev-A3R5-GFP/Luc | HRC-2 | Derived from A3.01 cells. Natural CD4, CXCR4 and $\alpha 4\beta 7$ expression. Constitutive CCR5. Rev-dependent GFP and Luc. |
| Rev-A3-GFP/Luc | HRC-3 | Derived from A3.01 cells. Natural CD4 and CXCR4 expression. Rev-dependent GFP and Luc expression. |
| Rev-CEM-GFP | HRC-4 | Derived from CEM-SS cells. Natural CD4 and CXCR4 expression. Rev-dependent GFP and Luc expression. |
| Rev-CEM-GFP/Luc | HRC-5 | Derived from CEM-SS cells. Natural CD4 and CXCR4 expression. Rev-dependent GFP and Luc expression. |
| Rev-CEM-Luc | HRC-6 | Derived from CEM-SS cells. Natural CD4 and CXCR4 expression. Rev-dependent Luc expression. |
| HIV Infection Enhancer | H901 | HIV Infection Enhancer, (enhance infection rate 5-20 folds) |

Visit: 101Bio.com

3D Cell Culture Gel (Col-Tgel) (Real 3D, Save, 8 citations)

| | 101Bio 3D Col-Tgel | Matrigel |
|-----------------|------------------------------------|---------------------------------|
| Component | Collagen, real 3D | Gelatinous protein, not real 3D |
| Price | Save | Expensive |
| Growth factor | Free, no background | Growth factor reduced |
| Handle at | Room temperature | On ice |
| Stiffness | 3 stiffness (Soft, Medium, Hard) | 1 stiffness |
| Experiment time | 60 minutes, 3 steps | 130 minutes, multiple steps |
| Transparency | Yes, easy observe under microscope | Semi-transparent |

1-stop Fast Protein Extraction



| Cat.# | Kit Name | Application | Protein Status | Minute |
|-------|--------------------------------|--|------------------------|--------|
| P501 | Total protein kit | cells → total protein | denatured / native | 1 |
| P502 | Total protein kit | tissues → total protein | denatured / native | 1 |
| P503 | Membrane protein kit | cells / tissues → membrane and cytosol | native /detergent-free | 40 |
| P504 | Nuclear protein kit | cells / tissues → nuclear & cytosol | native | 6 |
| P505 | Detergent-free kit | cells → total protein | denatured / native | 5 |
| P506 | Detergent-free kit | Tissues → total protein | denatured / native | 5 |
| P507 | Mitochondria kit | cells / tissues → mitochondria | native/detergent-free | 25 |
| P508 | Plant total protein | plant tissues → total protein | denatured / native | 5 |
| P510 | Plant detergent-free | plant tissues → total protein | native | 6 |
| P511 | Plant chloroplast kit | plant tissues → intact chloroplast | | 5 |
| P512 | Bacteria total protein | bacteria → total protein | denatured | 2 |
| P513 | Nuclear envelope kit | cells → nuclear envelope | native | 40 |
| P514 | Histone / DNA binding pro. | cells → histone/DNA binding pro. | denatured | 10 |
| P515 | Thick cell wall microbes pro. | microbes → total protein | denatured / native | 10 |
| P516 | Detergent-free thick cell wall | microbes → total protein | denatured / native | 10 |
| P517 | Yeast Mitochondria | yeast → mitochondria | native | 60 |
| P518 | Plant Microsomal Membrane | plant → microsomal membrane | native | 60 |
| P519 | Gel slice protein recovery | gel slice → protein | denatured / native | 10-20 |
| P522 | Adipose protein kit | adipose → protein | native / denatured | 20 |
| P523 | Adipose fractionation kit | adipose → water soluble/insoluble | native | 40 |
| P524 | Nuclei isolation kit | cells / tissues → intact nuclei | native, detergent-free | 20 |
| P525 | FFPE protein kit | FFPE tissues → protein | denatured | 60 |
| P528 | Endosome isolation kit | cells / tissues → endosome | denatured | 20 |
| P529 | Adipose nuclei /cytosol kit | adipose tissue → nuclei & cytosol | native | 30 |

Protein Analysis Reagents:

| | | | |
|------|-----------------------|--|------|
| P5W1 | HRP Substrate Kit | Pick up your most difficult-to-detect proteins | \$99 |
| P5W2 | Antibody Enhancer | Save expensive antibodies | \$99 |
| P5W3 | WB Stripping Solution | Maximum removal of antibodies, gentle on antigen | \$99 |

* For more protein analysis reagents, please visit our website: www.101bio.com